

# The Best Just Got Better

HIGHEST VOLUME

40  MIN.

The industry-leading juicer for high-volume self-service and staff-operation now even better.

**POWERFUL RETURNS:** Self-service and staff-operation at 40 fruit/minute. The most advanced technology for highly frequented locations.

**SUPERIOR TASTE:** Patented SCS Up & Down dynamic knife delivers precise fruit cuts, reduces peel oil and yields sweeter-tasting juice. ATS self-clearing sieve automatically removes seeds and excessive pulp.

**MAXIMIZED HYGIENE:** 304 food-grade stainless steel ensures food safety. Dishwasher-safe Double Cover and juicing parts maximize hygiene.

**EFFICIENT OPERATION:** Screwless design means even faster disassembly and even fewer parts to worry about.

**UNMATCHED DURABILITY:** Robust materials and design. Complete triple-sealed separation of juicing and motor zone for durability and longer machine life. Sturdy stainless-steel tap for high-frequency use.

**SMART TECHNOLOGY:** 10" touchscreen monitor for easy operation, embedded training steps and possibility of running promotional videos.

**LUCRATIVE RETURNS:** Large stainless-steel rolling cabinet for longer uninterrupted juicing and added mobility. Optional pressing kits so you can offer greater juice variety: lemon, lime, tangerine, orange, and grapefruit up to 4 inches all from one single juicer.



# xPRO

Fruit per minute

40 pieces

Fruit supply basket capacity

46 lb

Fruit type

Citrus fruit

Fruit size, Standard Pressing Kit (incl.)

2.55-3.14 in / 100 to 138 count

Fruit size, Small Pressing Kit (optional)

1.96-2.55 in / 140 to 200 count

Fruit size, Large Pressing Kit (optional)

3.15-4.00 in / 48 to 99 count

Juicing modes

Continuous / Self-service tap /

Automatic seed and pulp removal

Installation

Stainless-steel cabinet mounted

(juicer must be mounted)

Net weight: Juicer / Juicer on Cabinet

162 lb / 255 lb

Power Supply

120 V / 60 Hz

Power

200 W / 0.2 kW

Fuse / Protection

6.3 A / IPx1

Warranty

Limited 2-year

Certifications



Parts and Support

(407) 790 7862

[www.citrusamerica.com](http://www.citrusamerica.com)

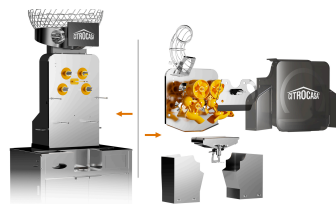
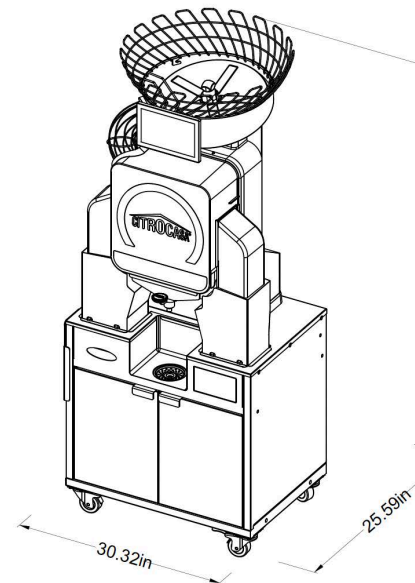
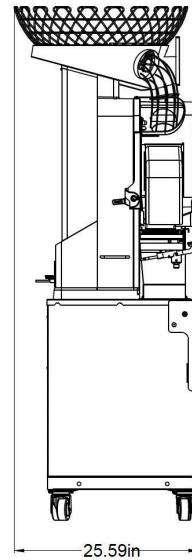
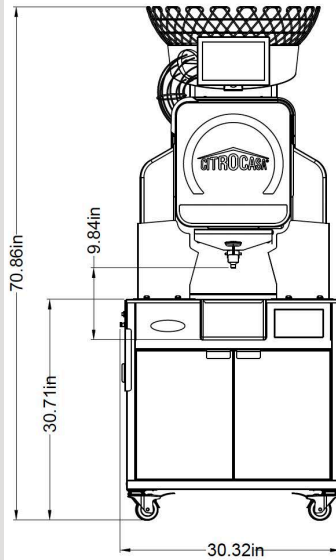
[www.juicertraining.com](http://www.juicertraining.com)

Additional Information



## HIGH VOLUME CITRUS JUICER

40 🍊 MIN.



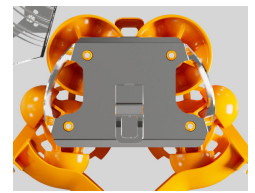
### 2-ZONE-TECHNOLOGY:

Complete separation of *motor zone* and *juicing zone* with stainless-steel Double Cover



### ATS (Automatic Transport System):

Automatic removal of seeds and excessive pulp

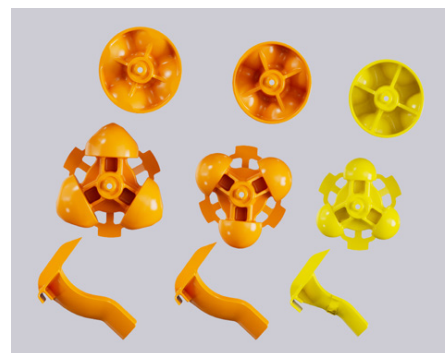


### Screwless Design:

Latch system for the easiest assembly and disassembly

### OPTIONAL ACCESSORIES

- | Small Pressing Kit for small citrus: lemons, limes, tangerines
- | Large Pressing Kit for large citrus: large oranges, grapefruit, pomegranates
- | Counter-Installation Kit
- | Rolling Stainless-Steel Cabinet



Different pressing kits for fruit ranging from 1.96 - 4.00 in.