



FANTASTIC M/AS

Small Footprint
Ease of Use

MEDIUM VOLUME

30  MIN.

Pitcher in place, oranges on top, instant fresh juice. All on only 11" of counterspace.

AUTOMATIC JUICING: Simply feed fruit to start juicing. Open tap for increased labor efficiency. Ideal for staff-operated locations with limited space.

SUPERIOR TASTE: Patented SCS Up&Down dynamic knife delivers precise fruit cuts, reduces peel oil, and yields sweeter-tasting juice.

MAXIMIZED HYGIENE: 304 food-grade stainless steel ensures food safety. Dishwasher-safe Double Cover and juicing parts maximize hygiene.

EFFICIENT OPERATION: One single Cross Holder secures all juicing elements and speeds up disassembly and cleaning.

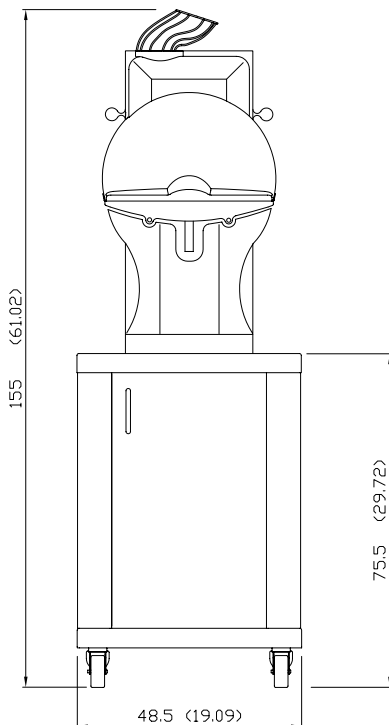
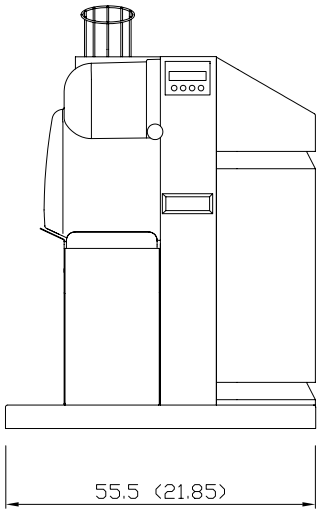
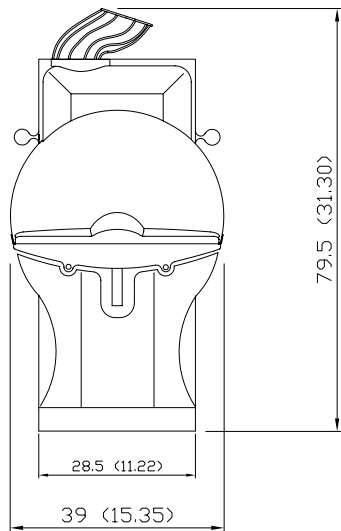
UNMATCHED DURABILITY: Robust materials and design. Complete triple-sealed separation of juicing and motor zone for durability and longer machine life.

SMART TECHNOLOGY: Multi-functional digital display with fruit counter, intelligent stop, and more.

LUCRATIVE RETURNS: Eye-catching design attractively priced. Easily switch to optional Small Pressing Kit for juicing lemons and limes.



FANTASTIC M/AS



MEDIUM VOLUME CITRUS JUICER

Fruit per minute

30 pieces

Fruit supply tunnel

4 pieces

Fruit type

Citrus fruit

Fruit size, Standard Pressing Kit (*incl.*)

2.55-3.14 in

Fruit size, Small Pressing Kit (*opt.*)

1.96-2.55 in

Juicing modes

**Auto-start /
Continuous**

Installation

**Free-standing / countertop kit /
Stainless-steel cabinet**

Net weight

96 lb

Power Supply

120 V / 60 Hz

Power

200 W / 0.2 kW

Fuse / Protection

6.3 A / IPx1

Warranty

Limited 2-year

Certifications

**NSF, TÜV America, ISEGA,
ANSI and SCC accredited**

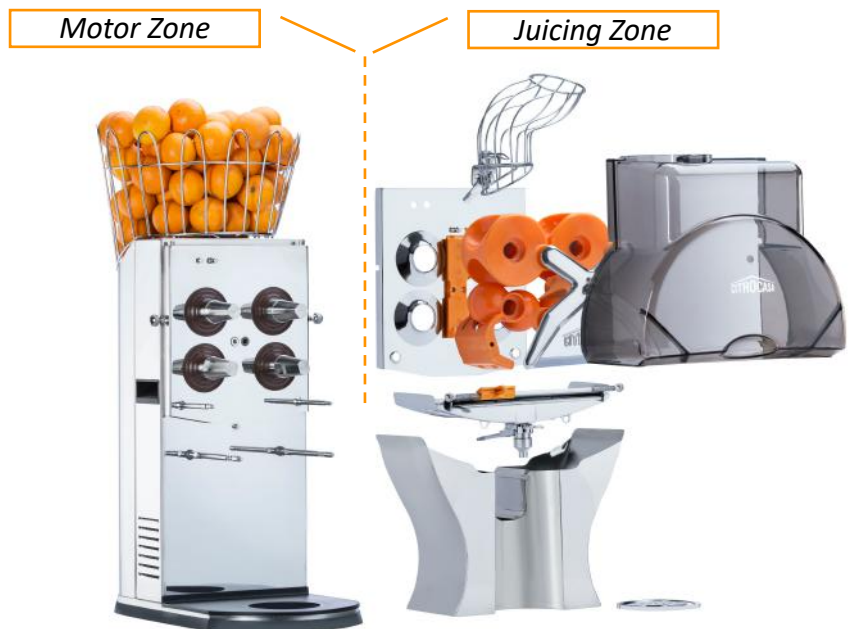
Parts and Support

(407) 790 7862

www.citrusamerica.com

2-ZONE TECHNOLOGY:

Complete separation of *motor zone* and *juicing zone* with stainless-steel Double Cover for improved hygiene and cleaning efficiency.



OPTIONAL ACCESSORIES:

Fruit Basket | Small Pressing Kit for lemons and limes |
Counter-Installation Kit | Rolling Stainless-Steel Cabinet |
Bottle Dispenser | Slide Tray | Display Shelf