

Industry-Leading Powerhouse

HIGHEST VOLUME

40  MIN.

The industry-leading juicer for high-volume self-service and staff-operation: The most advanced and flexible model for your juicing needs.

POWERFUL RETURNS: Self-service and staff-operation at 40 fruit/minute. The most advanced technology for highly frequented locations.

SUPERIOR TASTE: Patented SCS Up & Down dynamic knife delivers precise fruit cuts, reduces peel oil and yields sweeter-tasting juice. ATS self-clearing sieve automatically removes seeds and excessive pulp.

MAXIMIZED HYGIENE: 304 food-grade stainless steel ensures food safety. Dishwasher-safe Double Cover and juicing parts maximize hygiene.

EFFICIENT OPERATION: One single Cross Holder secures all juicing elements and speeds up disassembly and cleaning.

UNMATCHED DURABILITY: Robust materials and design. Complete triple-sealed separation of juicing and motor zone for durability and longer machine life. Sturdy stainless-steel tap for high-frequency use.

SMART TECHNOLOGY: Multi-functional digital display with fruit counter, intelligent stop, and more.

LUCRATIVE RETURNS: Stainless-steel rolling cabinet for longer uninterrupted juicing and added mobility. Optional pressing kits so you can offer greater juice variety: lemon, lime, tangerine, orange, and grapefruit all from one single juicer.



8000SB-ATS

Fruit per minute

40 pieces

Fruit supply basket

46 lb

Fruit type

Citrus fruit

Fruit size, Standard Pressing Kit (incl.)

2.55-3.14 in

Fruit size, Small Pressing Kit (optional)

1.96-2.55 in

Fruit size, Large Pressing Kit (optional)

3.15-3.50 in

Juicing modes

Continuous / Self-service tap /

Automatic seed and pulp removal

Installation

Stainless-steel cabinet mounted

(juicer must be mounted)

Net weight: Juicer / Juicer on Cabinet

173 lb / 260 lb

Power Supply

120 V / 60 Hz

Power

200 W / 0.2 kW

Fuse / Protection

6.3 A / IPx1

Warranty

Limited 2-year

Certifications

NSF, TÜV America, ISEGA,

ANSI and SCC accredited

Parts and Support

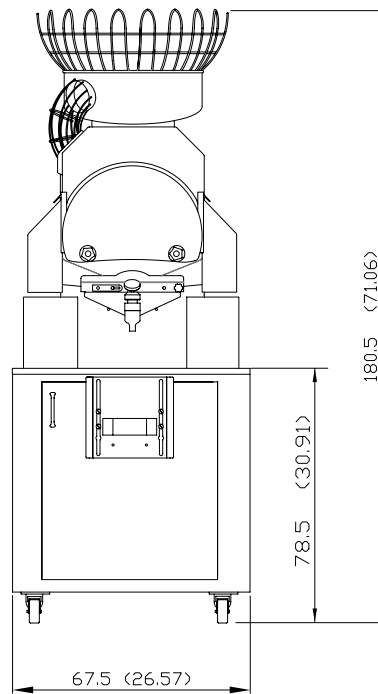
(407) 790 7862

www.citrusamerica.com

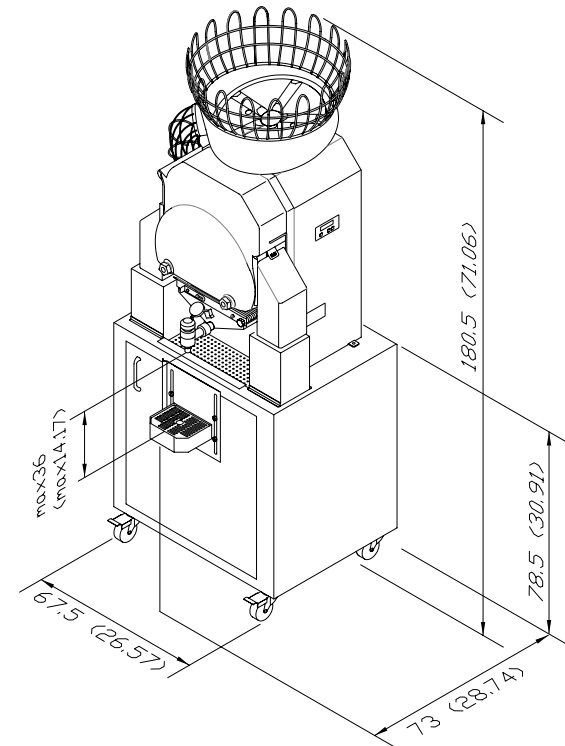
www.juicertraining.com

HIGH VOLUME CITRUS JUICER

40  MIN.



Measurements in cm (in)



2-ZONE-TECHNOLOGY:

Complete separation of *motor zone* and *juicing zone* with stainless-steel Double Cover for improved hygiene and cleaning efficiency.

ATS (Automatic Transport System):

Automatic removal of seeds and excessive pulp

OPTIONAL ACCESSORIES:

- | Small Pressing Kit for small citrus: lemons, limes, tangerines
- | Large Pressing Kit for large citrus: large oranges, grapefruit
- | Counter-Installation Kit | Rolling Stainless-Steel Cabinet
- | Bottle Dispenser | Slide Tray | Display Shelf



Small Pressing Kit for lemons/limes



Large Pressing Kit for grapefruit